



# OVERFLOW DRAIN

## BEFORE INSTALLING

Read entire installation instructions. Observe all local plumbing and building codes.

## INSTRUCTIONS

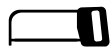
Unpack and inspect drain for any shipping damages. If you find any damages, do not install. Contact Customer Service at 1-866-855-2284. If you need assistance while installing your new Overflow Drain, call our Customer Service number.

We recommend consulting a professional if you are unfamiliar with installing bathroom fixtures and plumbing. Signature Hardware accepts no liability for any damages to the floor, walls, plumbing or personal injury during installation.

## TOOLS AND MATERIALS:



Thread Sealant



Hacksaw



Pliers



Adjustable Wrench



Pipe Wrench

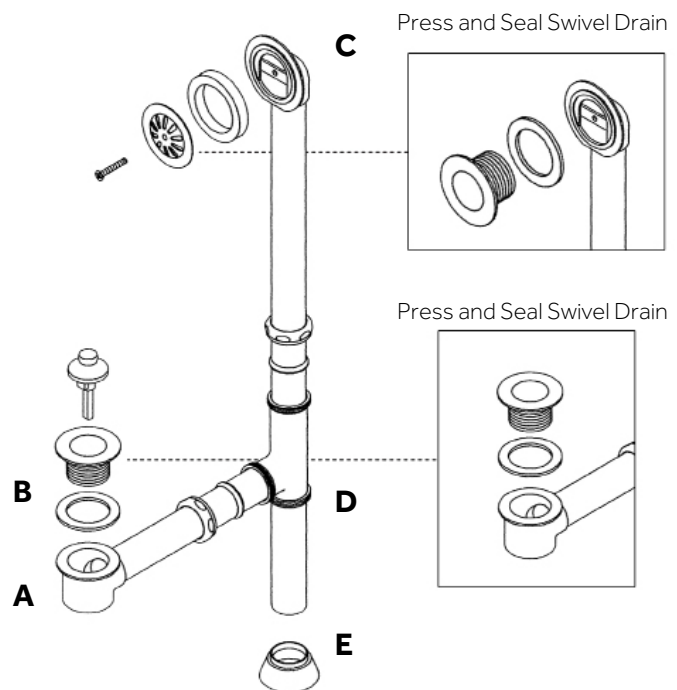


Screwdriver

## INSTALLATION

Because tubs vary in size, measure your space thoroughly before installation. Trim pipes accordingly to ensure a correct fit. Go to the [Trimming Drain Pipes](#) section for more information.

1. Apply thread sealant or plumber's tape to the threads at each end of all pipes prior to installation. If two pipes arrive attached, be sure to take them apart and apply sealant before installing.
2. Connect the tub shoe assembly (A), and rubber washer to the tub drain (B).
3. Install the overflow assembly (C) with the beveled washer, overflow plate, mounting screw (provided) and any other washers or rubber sealing gaskets included.
4. Attach the waste and overflow tee (D) to the overflow assembly (C) and shoe assembly (A) with sealing washers and slip nuts.
5. Attach the drain tube and flange (E) to the waste and overflow tee (D) with the sealing washer and slip nut.





## TRIMMING DRAIN PIPES

1. Connect the overflow and drain assemblies and pipes to the tub.
2. The T-connection will be attached at the points where the drain pipes intersect. Measure and mark each pipe so that the ends reach a little over halfway into the T-Connection hubs.
3. Trim the pipes as necessary with a hack saw with a blade that is suitable for cutting metal.

