



RESTON WALL-MOUNT FAUCET INSTALLATION

BEFORE YOU BEGIN

We recommend consulting a professional if you are unfamiliar with installing bathroom fixtures and plumbing. Signature Hardware accepts no liability for any damage to the floor, walls, plumbing, or personal injury during installation.

For the following installation instructions, it is assumed that any old fixture has been removed and the main water supply is prepared for faucet installation.

Unpack and inspect the item for damage. If any damage is found, contact our Customer Relations team at 1-855-715-1800.

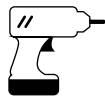
GETTING STARTED

- Ensure that you have gathered all of the required materials that are needed for the installation.
- Shut off the main water supply where the new faucet is being installed.

TOOLS AND MATERIALS:



Plumber's Tape



Drill



Thread Sealant



Tape Measure



Level



Hex Wrench
(provided)



Flathead
Screwdriver



Pipe Clamps

PLANNING

Use the faucet's PDF specification sheet as a reference when planning your installation. The specification sheet can be found and downloaded from the product page on our website.

Because the faucet specification measurements are approximate and slight variations may occur, we highly recommend performing any rough-in procedures with the faucet on site.

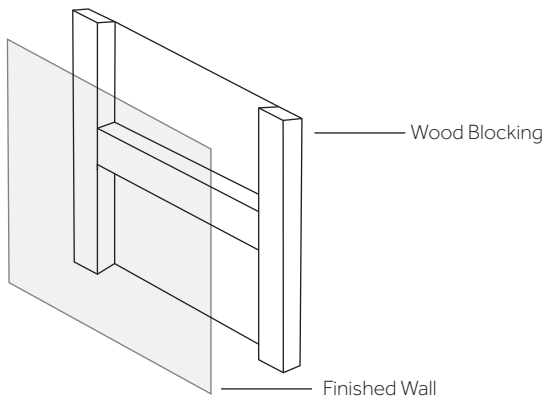


RESTON WALL-MOUNT FAUCET INSTALLATION

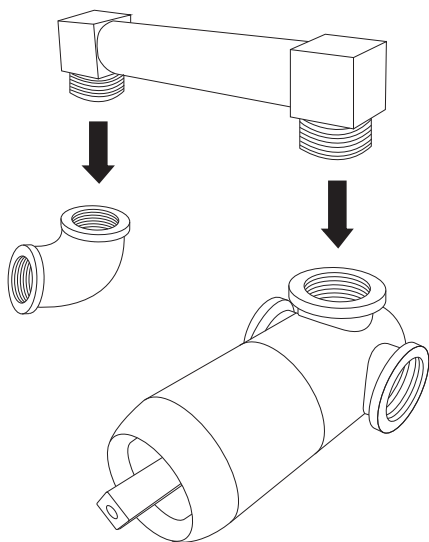
INSTALLATION

1. Prepare for installation by installing wood blocking between the two studs where the faucet will mount.

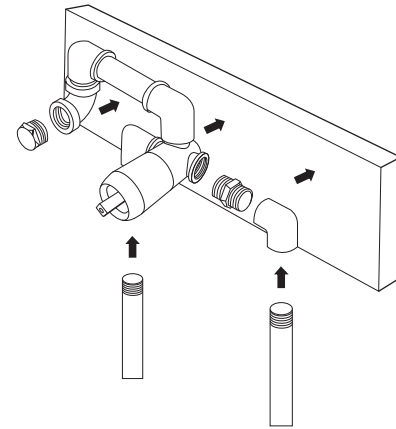
Important: Take into consideration the thickness of your finished wall materials, such as tile, when calculating measurements.



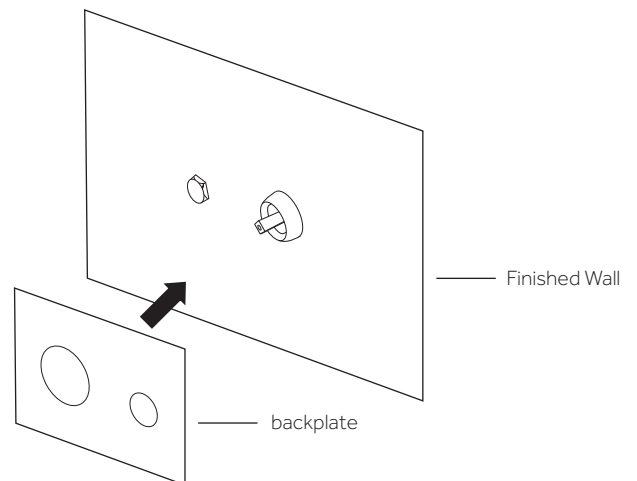
2. Assemble the valve body, as shown. Connect the valve to the provided pipe nipple, as well as the provided elbow. Apply plumber's tape or thread sealant to each threaded connection.



3. Mount the valve body in its prepared location. Attach the valve body to the wood blocking using pipe clamps. Use a level to ensure that the valve is mounted straight. Attach your existing water lines to the valve. Apply thread sealant or plumber's tape to the threaded connections. Use any necessary piping and adapters that are needed (not provided).



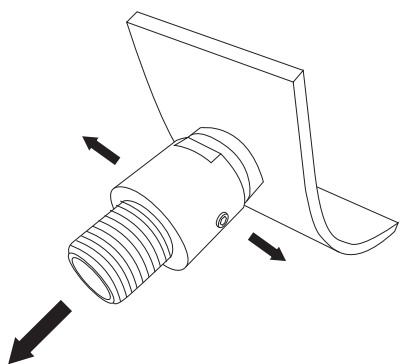
4. Once your finished wall has been completed, slide the decorative backplate onto the installed valve body, as shown.



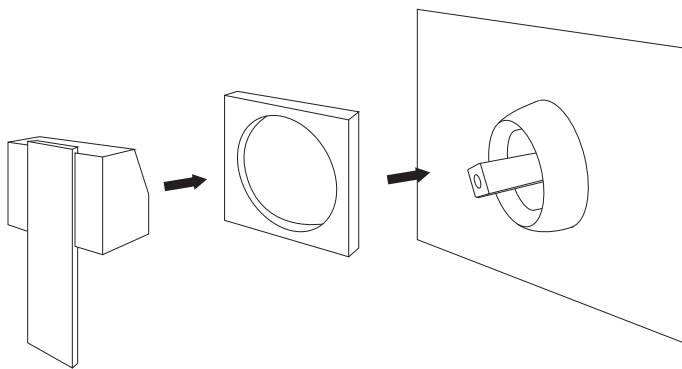


RESTON WALL-MOUNT FAUCET INSTALLATION

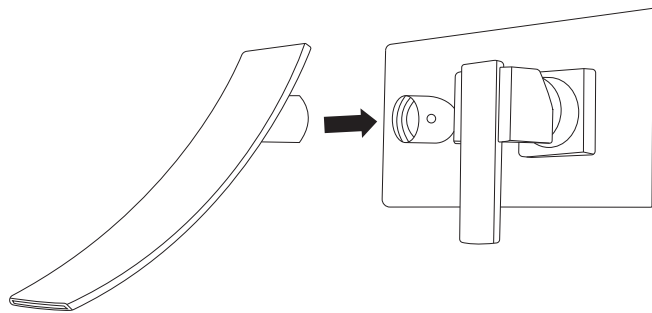
5. Remove the spout adapter from the spout by loosening the set screws and pulling off. Thread the spout adapter into the installed valve body. Apply thread sealant or plumber's tape to the threads before tightening.



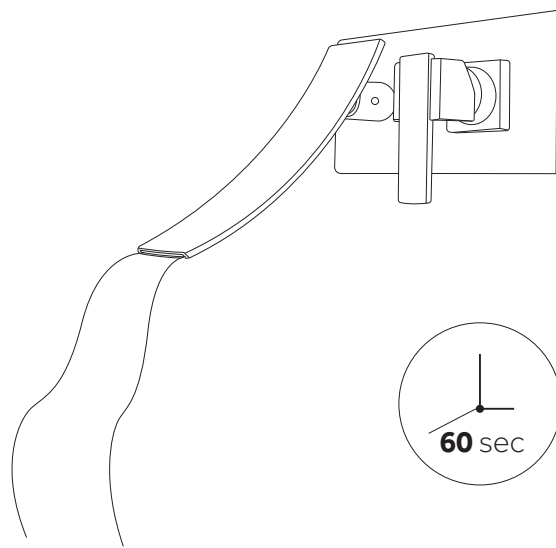
6. Slide the square decorative escutcheon onto the handle base. Secure it by tightening the set screw underneath. Thread the circular trim piece onto the handle base, then attach the handle. Conceal the handle's set screw using the decorative screw cover.



7. Attach the spout by inserting into the installed spout adapter. Tighten the set screws to secure once properly aligned.



8. Proceed to the installation of the drain. Once complete, turn on the main water supply. Turn the faucet on and allow the water to flow through the spout for approximately 60 seconds. Verify that hot and cold water are running properly.

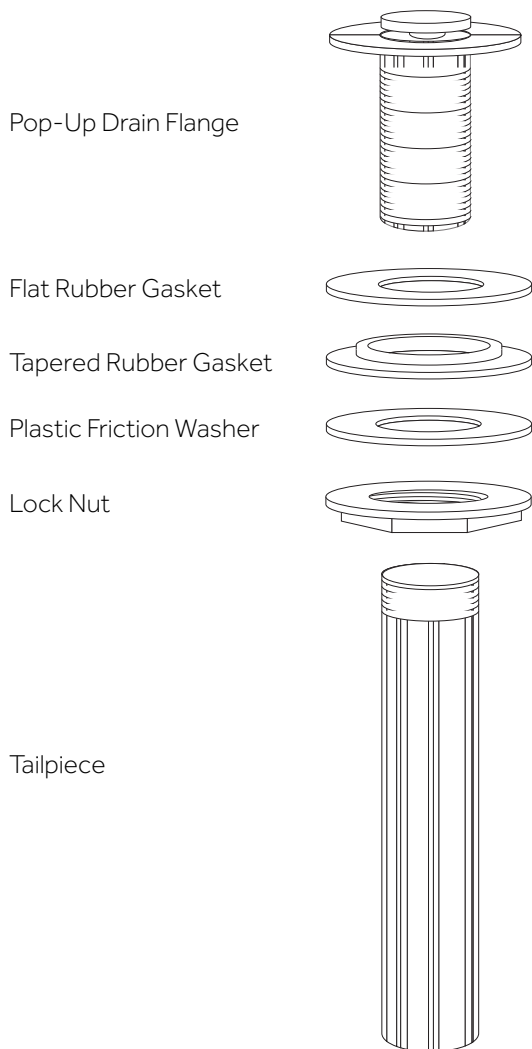




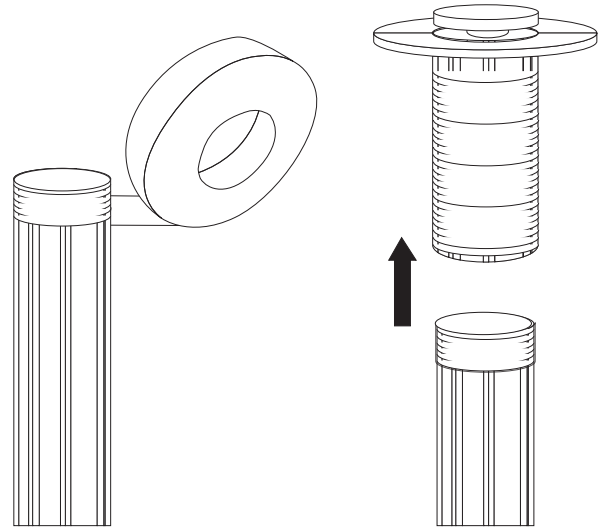
RESTON WALL-MOUNT FAUCET INSTALLATION

INSTALLATION

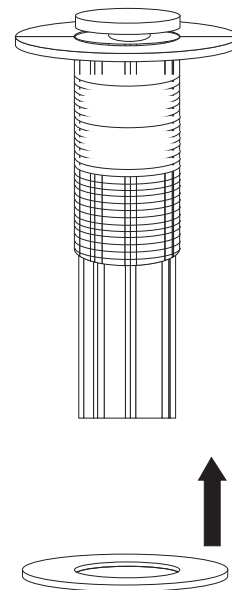
1. Dissassemble the drain assembly and lay the parts aside, in the same order they were removed. See the illustration below as a reference if needed.



2. Apply plumber's tape to the threading on the tailpiece, then reattach the tail piece to the pop-up drain flange.



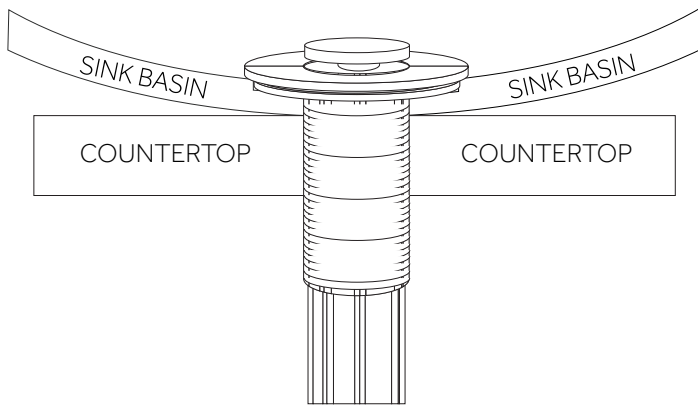
3. Slide the flat rubber gasket up the tailpiece until it meets the lip of the pop-up drain flange.



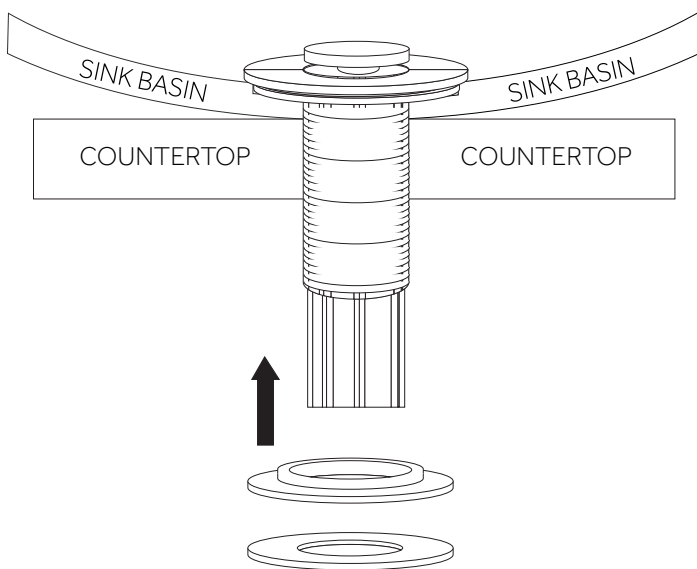


RESTON WALL-MOUNT FAUCET INSTALLATION

4. Insert the drain flange and tailpiece through the top of your sink's drain hole.



5. From under your counter, slide the tapered rubber gasket followed by the plastic friction washer onto the tailpiece until they meet your sink or countertop. Be sure that the tapered side of the rubber washer is facing up.



6. Thread the lock nut onto the drain flange. Hand tighten until secure, then finish tightening with a basin wrench once the drain is properly aligned.

Important: Be careful not to overtighten, which could crack a porcelain sink or stone countertop.

