



# SHOWER CONVERSION KIT WITH HAND SHOWER

## BEFORE YOU BEGIN

We recommend consulting a professional if you are unfamiliar with installing plumbing fixtures. Signature Hardware accepts no liability for any damage to the plumbing, floor, walls, tub, or for personal injury during installation.

Observe all local plumbing and building codes.

Unpack and inspect the item for shipping damage. If any damage is found, contact our Customer Relations team at 1-855-715-1800.

## TOOLS AND MATERIALS:



Plumber's Tape\*



Phillips Screwdriver\*



Thread Sealant\*



Adjustable Wrench\*

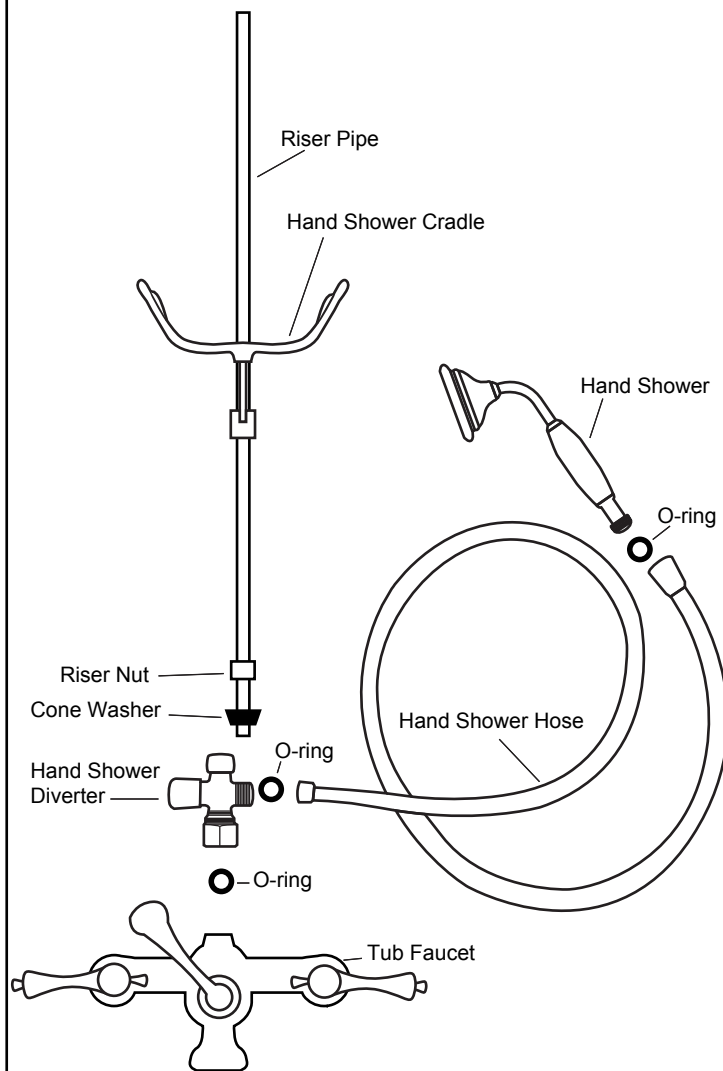


Hex Wrench

Not Included\*

## GETTING STARTED

- Ensure that you have gathered all of the required materials that are needed for the installation.
- For the following instructions, it is assumed that the tub faucet is already in place and prepared for installation of the shower conversion kit



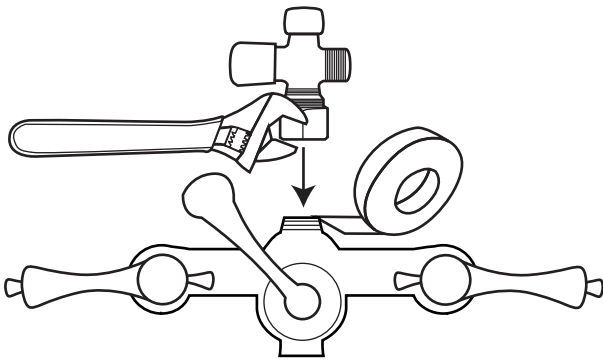


# SHOWER CONVERSION KIT WITH HAND SHOWER

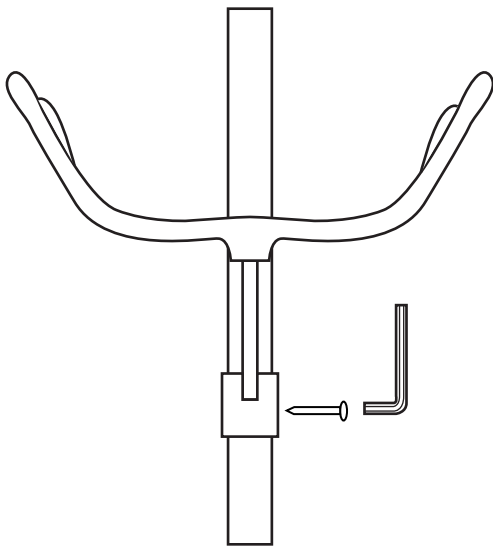
## INSTALLATION

1. Insert the provided rubber O-ring into the base of the hand shower diverter, and attach the diverter to the tub faucet as shown. Apply a bit of thread sealant or plumber's tape to the threads before tightening. Use an adjustable wrench to tighten firmly.

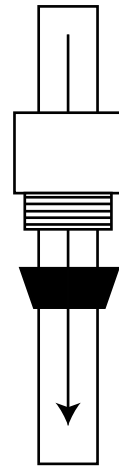
Tip: Wrap the nut with a thin wash cloth while tightening to prevent the wrench from scratching the plated finish.



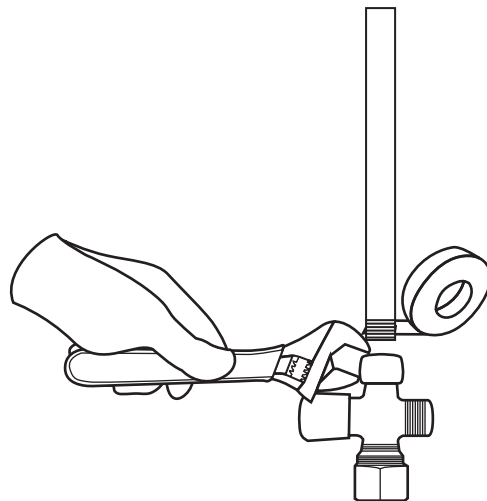
2. Slide the hand shower cradle onto the lower riser pipe. Position the cradle in its desired location, then tighten the set screw on the cradle to secure using the provided hex wrench.



3. Slide the riser nut onto the lower riser pipe, with the threaded side facing down. Slide the rubber cone washer onto the lower riser pipe below the riser nut, with the beveled side of the washer facing down as shown.



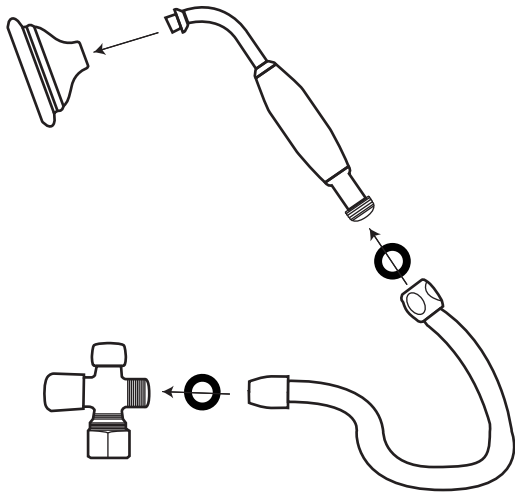
4. Insert the lower riser pipe into the top of the hand shower diverter and secure it by tightening the riser nut. Apply a bit of thread sealant or plumber's tape to the threads before tightening. Use an adjustable wrench to tighten firmly.





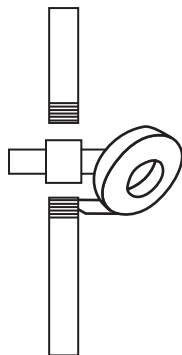
# SHOWER CONVERSION KIT WITH HAND SHOWER

5. Attach the handheld shower head to its handle, then use the provided hose to connect the hand shower to the diverter outlet, as shown. Insert one of the provided rubber O-rings into each end of the hose before tightening.

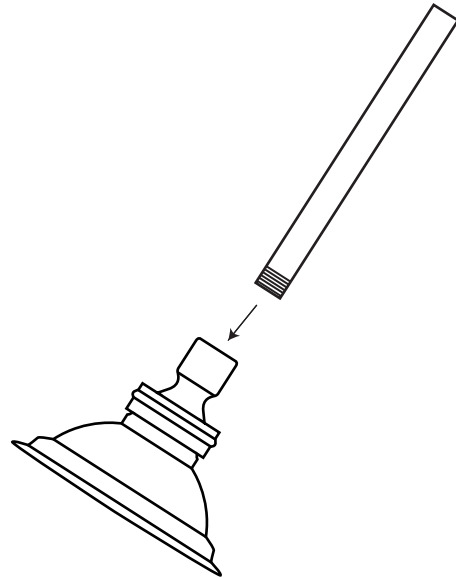


6. Insert the upper riser pipe through the mounting hole located on the shower curtain rod. Attach the upper riser pipe by threading it into the lower riser pipe. Apply a bit of thread sealant or plumber's tape to the threads before tightening.

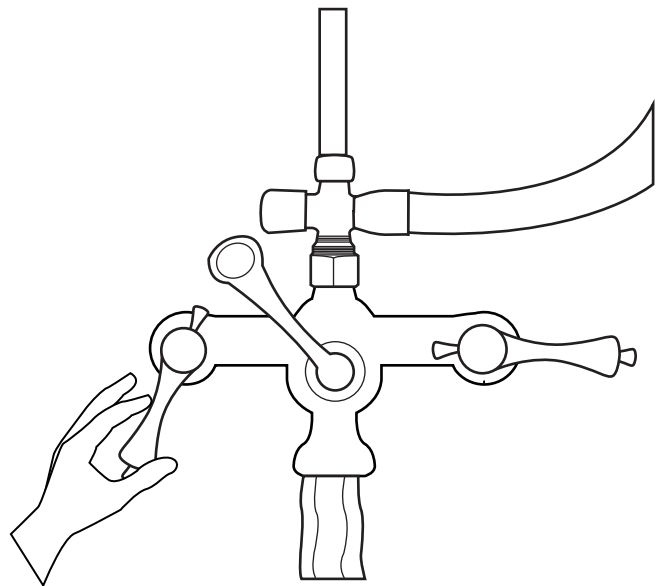
Tip: If your shower curtain rod does not contain a mounting hole for your riser pipe, secure the riser to the rod using a double-ringlet coupler (sold separately).



7. Complete the installation by installing the shower head onto the upper riser pipe.



8. Once installation is complete, turn the faucet on and divert water to the shower components. Check to ensure that there are no leaks from any of the connections, and that all functions are working properly.





# SHOWER CONVERSION KIT - NO HAND SHOWER

## BEFORE YOU BEGIN

We recommend consulting a professional if you are unfamiliar with installing plumbing fixtures. Signature Hardware accepts no liability for any damage to the plumbing, floor, walls, tub, or for personal injury during installation.

Observe all local plumbing and building codes.

Unpack and inspect the item for shipping damage. If any damage is found, contact our Customer Relations team at 1-866-855-2284.

---

## TOOLS AND MATERIALS:



Plumber's Tape\*



Adjustable Wrench\*



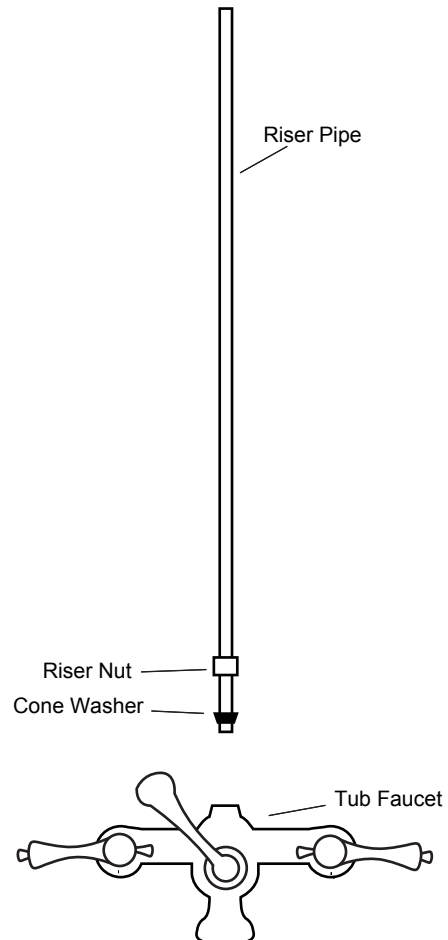
Thread Sealant\*

Not Included\*

---

## GETTING STARTED

- Ensure that you have gathered all of the required materials that are needed for the installation.
- For the following instructions, it is assumed that the tub faucet is already in place and prepared for installation of the shower conversion kit

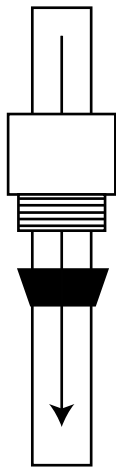




# SHOWER CONVERSION KIT - NO HAND SHOWER

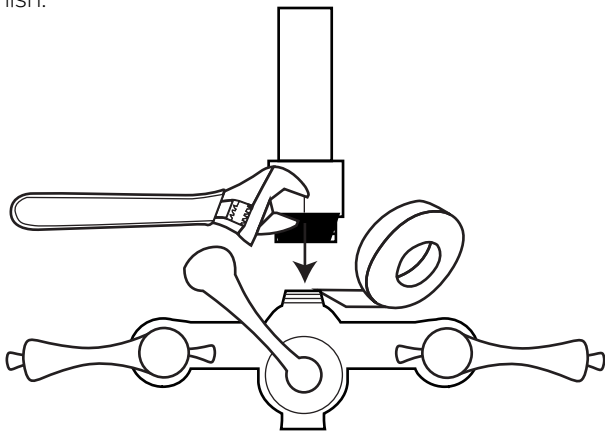
## INSTALLATION

1. Slide the riser nut onto the lower riser pipe, with the threaded side facing down. Slide the rubber cone washer onto the lower riser pipe below the riser nut, with the beveled side of the washer facing down as shown.



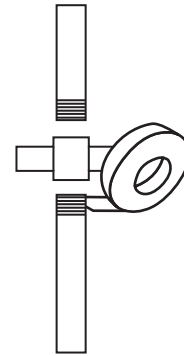
2. Insert the lower riser pipe into the top of the tub faucet and secure it by tightening the riser nut. Apply a bit of thread sealant or plumber's tape to the threads before tightening. Use an adjustable wrench to tighten firmly.

Tip: Wrap the nut with a thin wash cloth while tightening to prevent the wrench from scratching the plated finish.

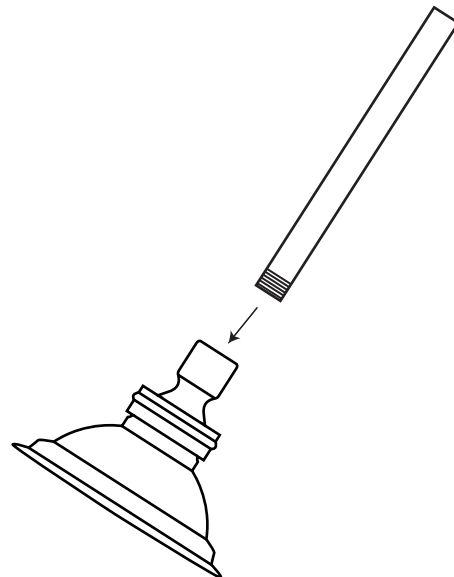


3. Insert the upper riser pipe through the mounting hole located on the shower curtain rod. Attach the upper riser pipe by threading it into the lower riser pipe. Apply a bit of thread sealant or plumber's tape to the threads before tightening.

Tip: If your shower curtain rod does not contain a mounting hole for your riser pipe, secure the riser to the rod using a double-ringlet coupler (sold separately).



4. Complete the installation by installing the shower head onto the upper riser pipe.





# SHOWER CONVERSION KIT - NO HAND SHOWER

5. Once installation is complete, turn the faucet on and divert water to the shower head. Check to ensure that there are no leaks from any of the connections

