



# SOREN SINGLE HOLE FAUCET INSTALLATION

## BEFORE YOU BEGIN

We recommend consulting a professional if you are unfamiliar with installing plumbing fixtures. Signature Hardware accepts no liability for any damage to the faucet, plumbing, sink, counter top, or for personal injury during installation.

Observe all local plumbing and building codes.

Unpack and inspect the faucet for shipping damage. If any damage is found, contact our Customer Relations team at 1-866-855-2284.

---

## GETTING STARTED

- Ensure that you have gathered all the required materials that are needed for the installation.
- For these instructions, it is assumed that the old faucet has been completely removed and any necessary repairs or modifications to the water supply have been completed.

## TOOLS AND MATERIALS:



Plumbers Tape



Thread Sealant



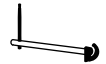
Adjustable Wrench



Phillips Screwdriver



Small Bucket



Basin Wrench

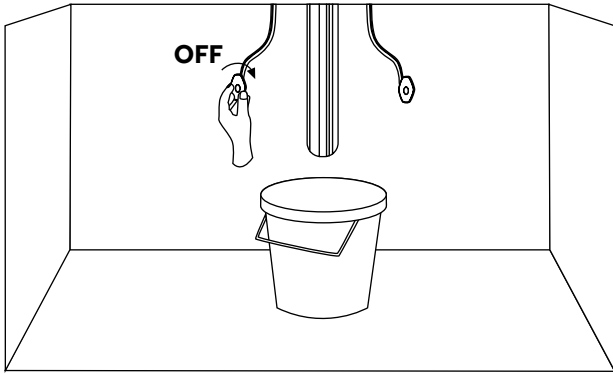


# SOREN SINGLE HOLE FAUCET INSTALLATION

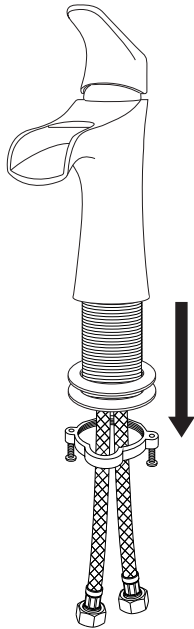
## INSTALLATION

1. Ensure that the water supply below your sink is completely shut off by turning the shutoff valves all the way to the right.

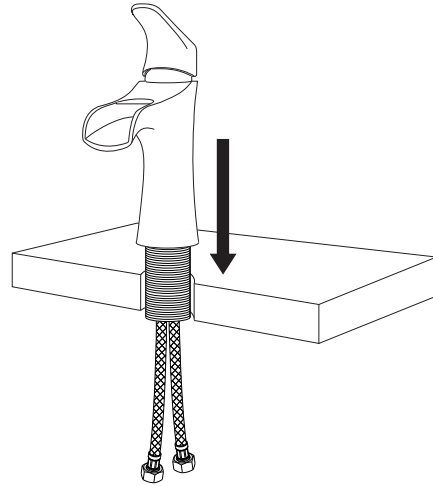
**Tip:** Place a small bucket below your workspace to catch any water that may drip during the installation process.



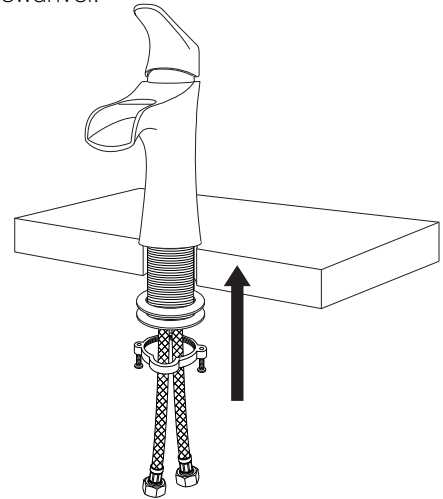
2. Remove the lock nut, metal washer, and rubber washer from the faucet. Ensure that the threaded shank is tightened firmly into the base of the faucet.



3. Insert the faucet into the prepared mounting hole.



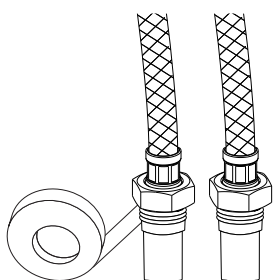
4. From below, slide the rubber washer onto the faucet followed by the metal washer. Secure the faucet by threading the lock nut onto the faucet until hand tight. Finish by tightening the screws on the lock nut using a Phillip's screwdriver.





## SOREN SINGLE HOLE FAUCET INSTALLATION

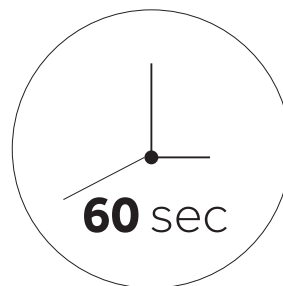
5. Apply plumber's tape or thread sealant to the threading on each braided water line. Attach the water lines to your main water supply. Ensure that you are connecting the hot and cold lines appropriately.



6. Once installation is complete, turn the main water supply back on from underneath your sink. Check for any leaks.



7. Proceed to the sink drain installation. Once complete, turn the faucet on to test. Check for leaks. Allow the water to flow for approximately 60 seconds.

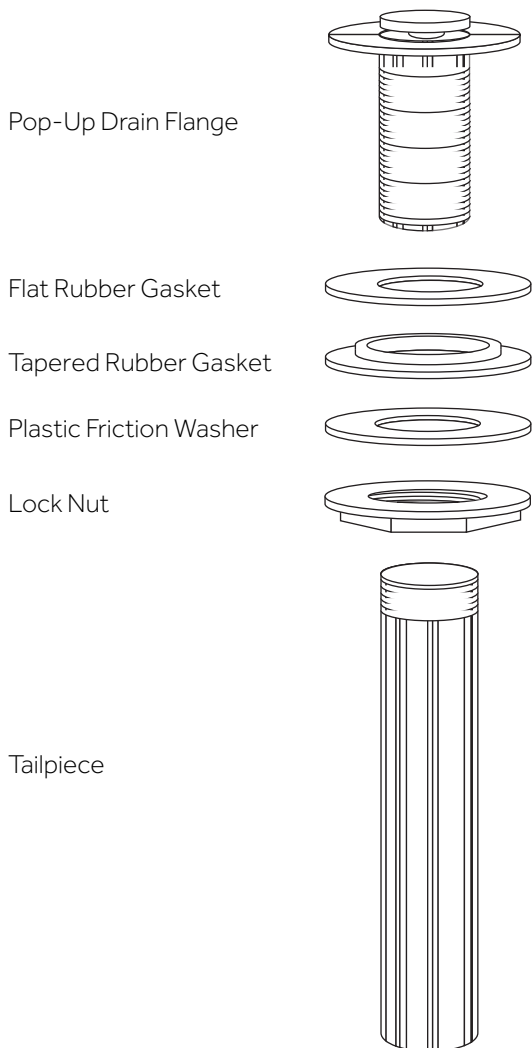




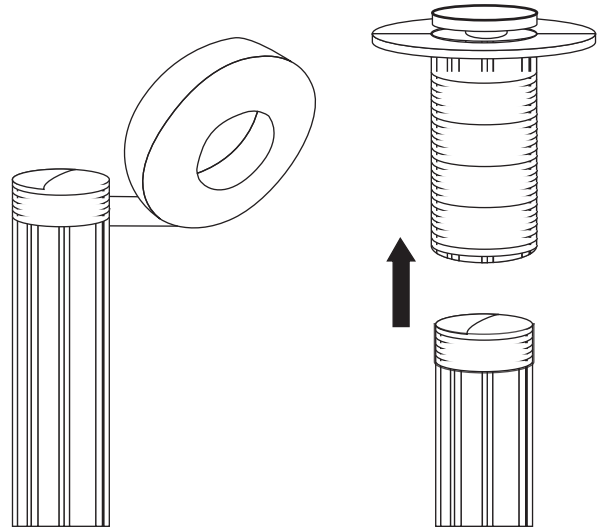
# SOREN SINGLE HOLE FAUCET INSTALLATION

## DRAIN INSTALLATION

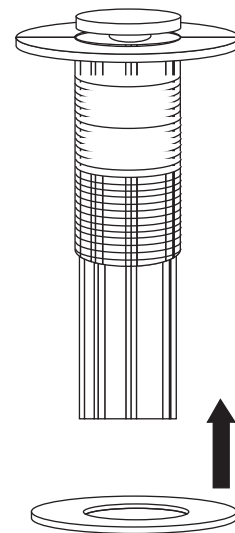
1. Dissassemble the drain assembly and lay the parts aside, in the same order they were removed. See the illustration below as a reference if needed.



2. Apply plumber's tape to the threading on the tailpiece, then reattach the tail piece to the pop-up drain flange.



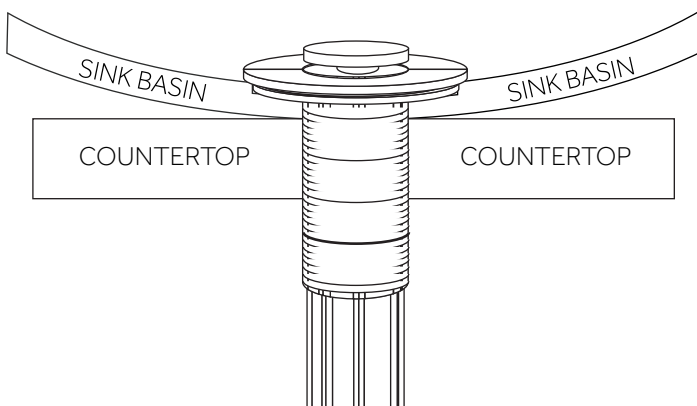
3. Slide the flat rubber gasket up the tailpiece until it meets the lip of the pop-up drain flange.



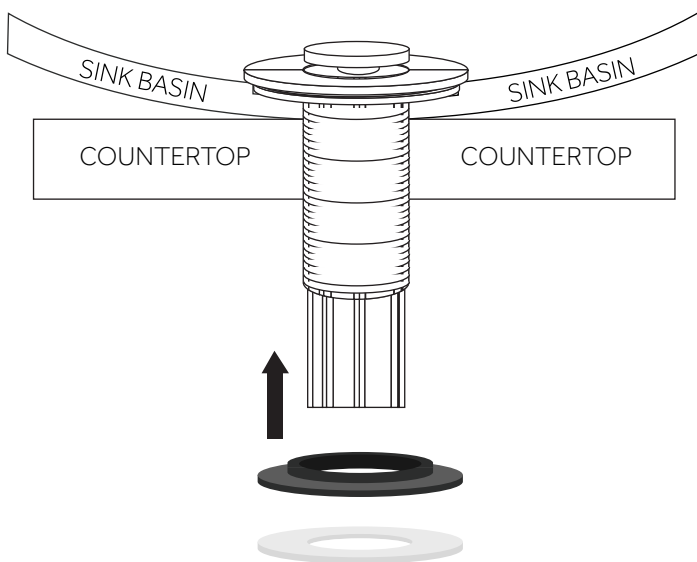


# SOREN SINGLE HOLE FAUCET INSTALLATION

4. Insert the drain flange and tailpiece through the top of your sink's drain hole.



5. From under your counter, slide the tapered rubber gasket followed by the plastic friction washer onto the tailpiece until they meet your sink or countertop. Be sure that the tapered side of the rubber washer is facing up.



6. Thread the lock nut onto the drain flange. Hand tighten until secure, then finish tightening with a basin wrench once the drain is properly aligned.

**Important:** Be careful not to overtighten, which could crack a porcelain sink or stone countertop.

