



SWIVEL HEAD WASTE AND OVERFLOW INSTALL

BEFORE YOU BEGIN

We recommend consulting a professional if you are unfamiliar with installing bathroom fixtures and plumbing. Signature Hardware accepts no liability for any damage to the floor, walls, plumbing, or personal injury during installation.

Observe all local plumbing and building codes.

Unpack and inspect the item for damage. If any damage is found, contact our Customer Relations team at 1-855-715-1800.

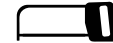
GETTING STARTED

- Ensure that you have gathered all of the required materials that are needed for the installation.

TOOLS AND MATERIALS:



Adjustable Wrench*



Hacksaw*



Pipe Wrench*



Neutral Cure Silicone Sealant*



Plumber's Tape*



Thread Sealant*



Damp Cloth*



Tape Measure*



Marker*



Level*

*not included

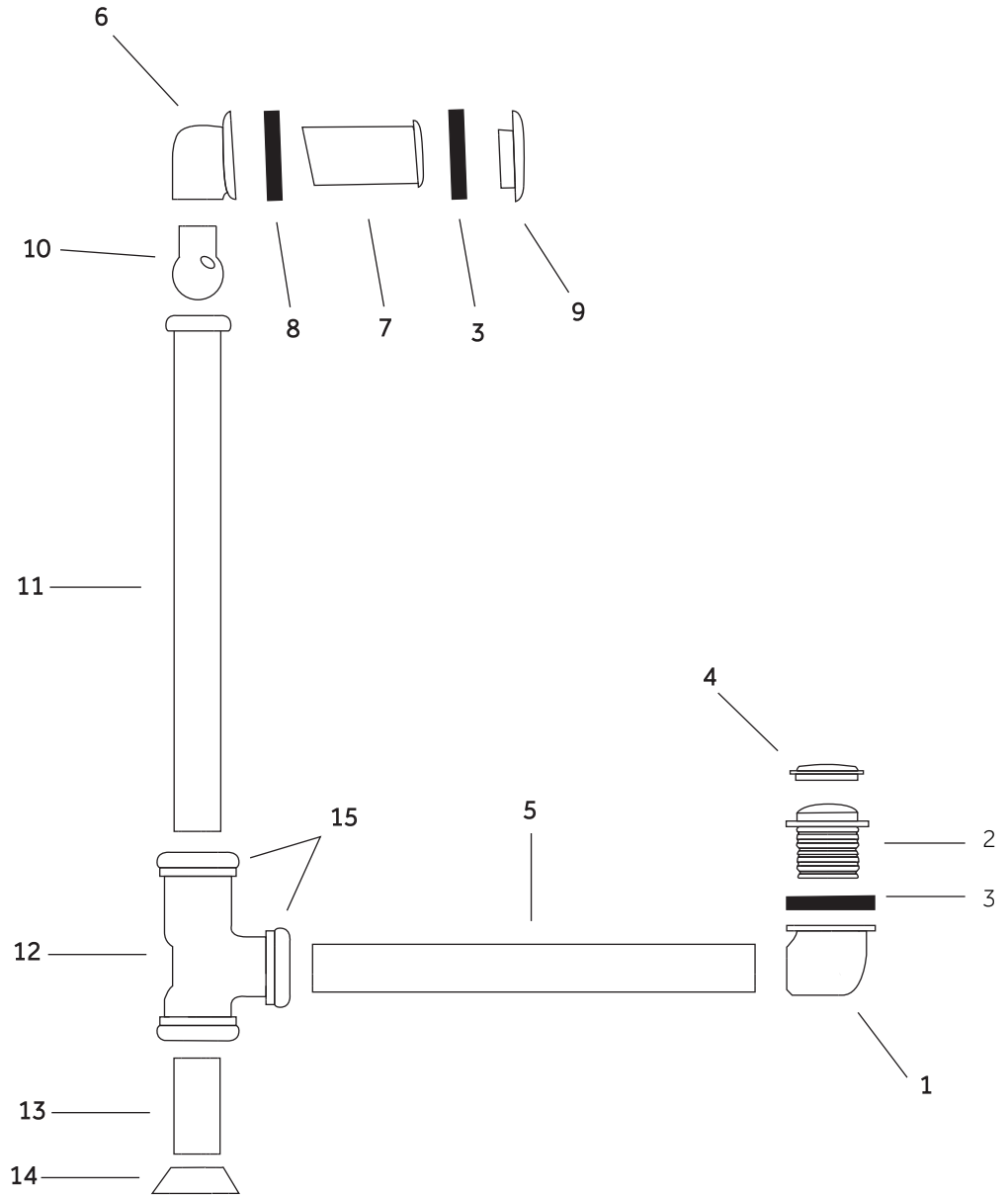


SWIVEL HEAD WASTE AND OVERFLOW INSTALL

INSTALLATION

Use the image and parts list as a reference during drain installation.

1. Drain Elbow
2. Pop-Up Assembly
3. Rubber Sealing Gasket
4. Drain Cover Plate
5. Drain Pipe
6. Overflow Elbow
7. Overflow Assembly
8. Wedge Gasket
9. Overflow Cover Plate
10. Ball Joint
11. Overflow Pipe
12. Tee Connector
13. 6" Drain Pipe
14. Escutcheon
15. Slip Nuts

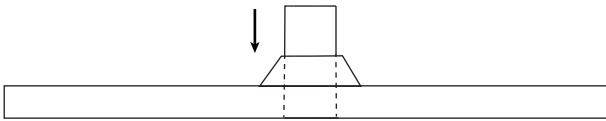




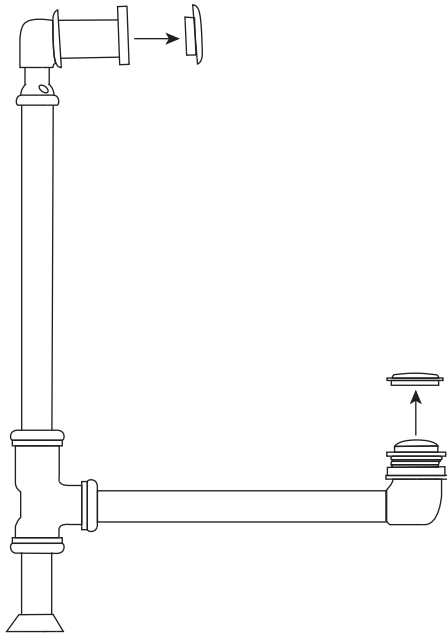
SWIVEL HEAD WASTE AND OVERFLOW INSTALL

STEP 1: FITTING AND TRIMMING

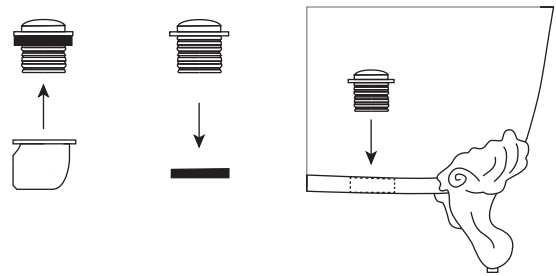
1. At your designated drain location, install the 6" drain piece (13) into your under-floor plumbing. Slide the escutchen (14) onto the drain piece to cover the hole in the floor.



2. Remove the drain cover plate (4) and the overflow cover plate (9) by twisting them out.



3. Remove the pop-up assembly (2) from the drain elbow (1). Remove the rubber sealing gasket (3) from the pop-up assembly and insert the assembly into the drain hole.



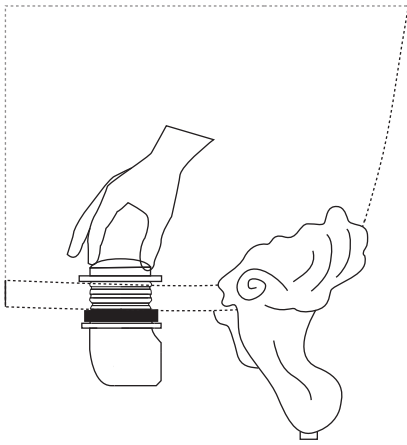
4. **Important:** Do not apply any thread sealant, plumber's tape, or silicone yet. This will be applied later, completing the installation.



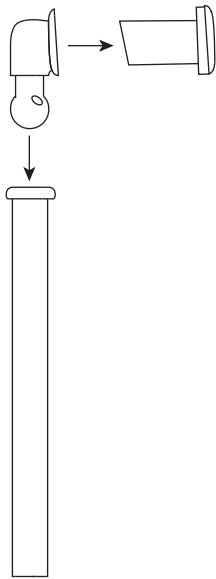


SWIVEL HEAD WASTE AND OVERFLOW INSTALL

5. From under the tub, slide the rubber sealing gasket (3) back onto the pop-up assembly (2). Hand-tighten the pop-up assembly into the drain elbow (1). Ensure that the drain pipe remains in line with the overflow hole while tightening.



6. Remove the overflow assembly (7) from the overflow elbow (6). Then, remove the overflow pipe (11) from the overflow assembly by loosening the lock nut on the ball joint (10).

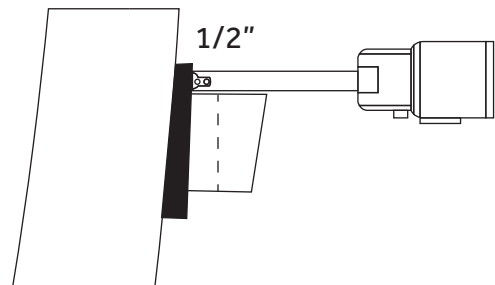


7. Insert the overflow assembly (7) into the tub's overflow hole. Examine the slope of the inner and outer walls of the tub, and place the wedge gasket (8) and rubber sealing gasket accordingly.

Important: Some tubs may require multiple wedge gaskets to create a proper seal, or silicone to fill remaining gaps.



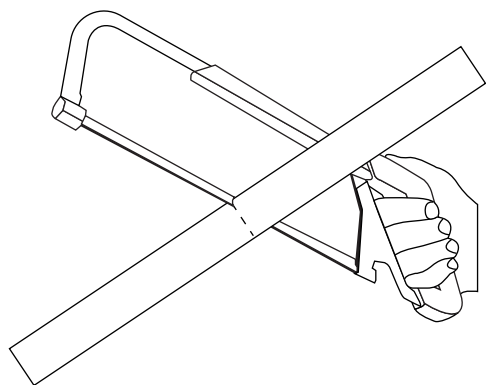
8. Once the overflow assembly and gaskets are properly aligned, the overflow assembly will need to be cut to size. Hold the overflow assembly in place. Measure 1/2" from the outside gasket and mark this location on the overflow assembly's threading.



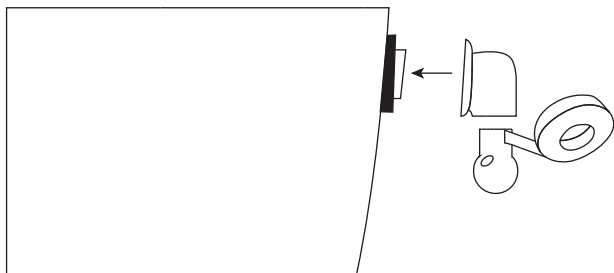


SWIVEL HEAD WASTE AND OVERFLOW INSTALL

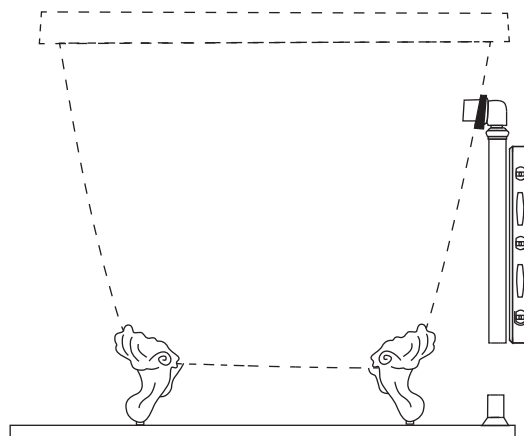
9. Remove the overflow assembly from the tub. Cut the threading of the overflow assembly at the marked location from step 8.



10. Remove the ball joint (10) from the overflow elbow (6) by unthreading it. Apply plumber's tape or a small amount of thread sealant to the threading of the ball joint and reattach. Insert the overflow assembly (7) back into the tub using the proper gaskets. Hand-tighten the overflow assembly into the overflow elbow.

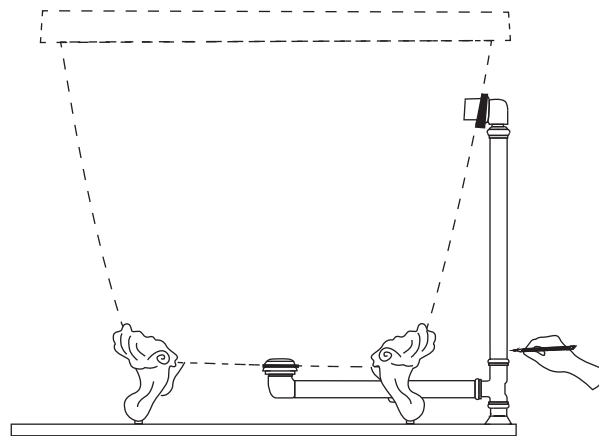


11. Attach the overflow pipe (11) to the ball joint (10) using the attached lock nut. Use a level to align the overflow pipe so that it is perfectly straight, pointing to the floor.



12. The tee connector (12) will be attached at the points where the drain pipe and overflow pipe intersect. Measure and mark each pipe so that the ends reach a little over halfway into the tee connector's fittings. Ensure that the bottom of the tee connector is properly aligned with the 6" drain piece installed into the floor.

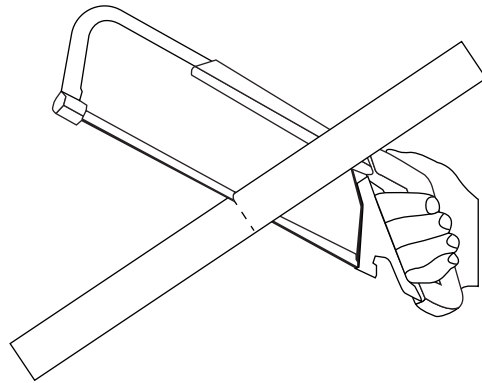
Important: The long end of the tee connector should point up, towards the overflow.





SWIVEL HEAD WASTE AND OVERFLOW INSTALL

13. Remove the drain and overflow pipes and trim them at the marked locations with a hack saw. The saw should contain a blade that is suitable for cutting metal. Set the pipe aside.

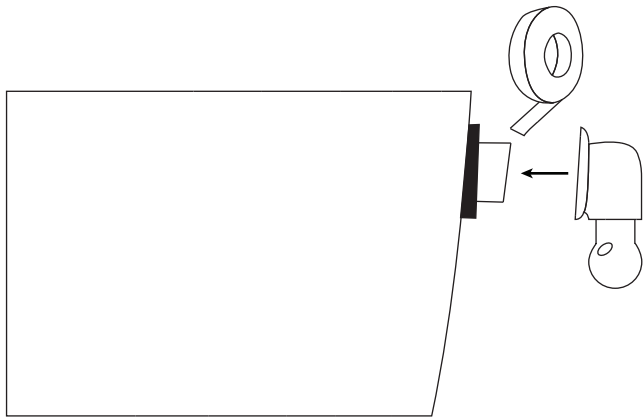




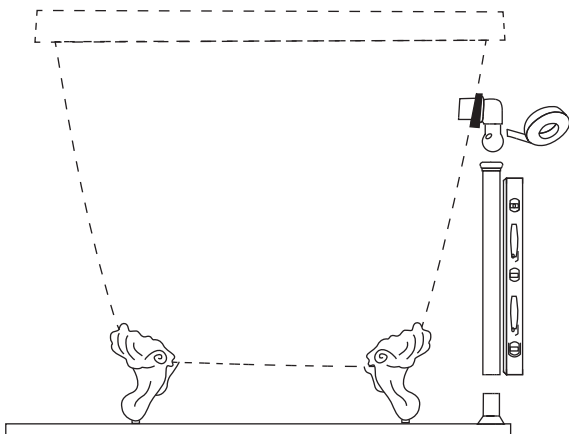
SWIVEL HEAD WASTE AND OVERFLOW INSTALL

STEP 2: INSTALLING THE DRAIN

1. Remove the overflow elbow (6) from the overflow assembly (7). Apply plumber's tape or thread sealant to the threading on the overflow assembly and reattach the overflow elbow.



2. Attach the overflow pipe (11) to the ball joint (10) using the attached lock nut. Apply plumber's tape or thread sealant to the threading before attaching. Again, use a level to align the overflow pipe so that it is perfectly straight, pointing to the floor.

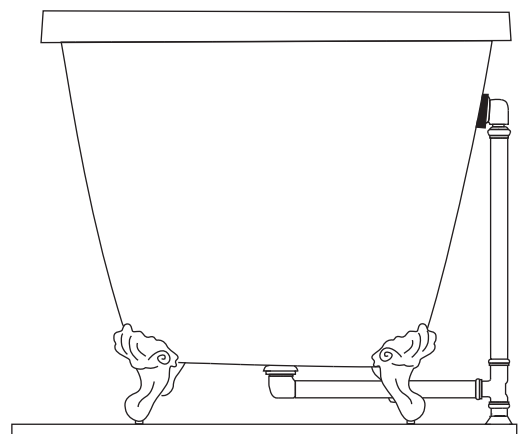


3. Attach the drain pipe (5) to the drain elbow (1). Apply plumber's tape or thread sealant to the threading before attaching.



4. Connect the drain pipe (5) and overflow pipe (11) using the tee connector (12). Align the bottom of the tee connector with the installed 6" drain piece (13). Once properly aligned, tighten all three slip nuts (15) to secure.

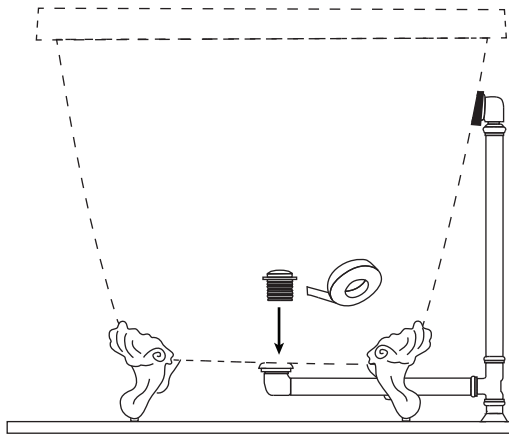
Important: Use a provided plastic washer at each of the three connections. The tapered side of each washer should face the tee connector.



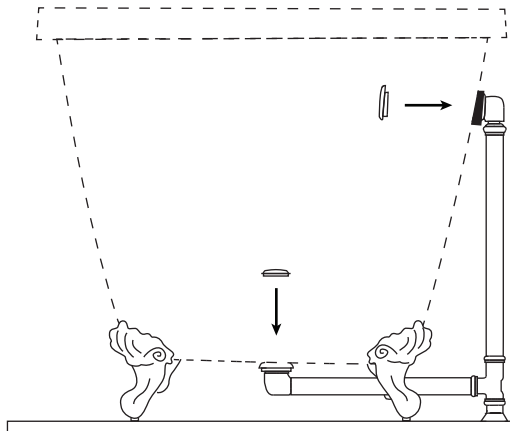


SWIVEL HEAD WASTE AND OVERFLOW INSTALL

5. From inside of the tub, remove the pop-up assembly (2) from the drain elbow (1). Apply a bead of silicone along the underside lip of the pop-up assembly. Apply plumber's tape or thread sealant to the threading, and reattach. Wipe away any excess silicone with a damp cloth.



6. To complete installation, reattach the overflow cover plate (9) and drain cover plate (4) by hand-tightening them from inside of the tub.



7. Allow the drain to set for 24 hours to allow the silicone and thread sealant to fully dry. Once dry, fill the tub to the overflow point to test the drain and overflow functionality, and to check for leaks.

