

UNDERMOUNT SINK

BEFORE INSTALLING

Read entire Undermount Sink Installation Instructions. Observe all local building and safety codes.

INSTRUCTIONS

Unpack and inspect the product for any shipping damages. If you find damages, do not install. Contact Customer Service at 1-866-855-2284. If you need assistance or have questions while installing your sink, contact Customer Service.

For this installation it is assumed that the vanity top has been cut to the dimensions of the sink. We recommend consulting a professional if you are unfamiliar with this type of installation. Signature Hardware accepts no liability for any damages to the floor, walls, plumbing or for personal injury during installation.

TOOLS AND MATERIALS:



Pencil



Damp Cloth



Basin Wrench



Silicone Sealant



Thread Sealant

INSTALLATION

1. Carefully turn the vanity top over so that it rests upside-down on a stable, cushioned surface.
2. Position the sink over the sink cutout. Make sure the sink is centered with the faucet hole and evenly spaced between the bolt holes.
3. Draw an outline of the sink on the vanity top.



4. Remove the sink from the vanity top. Apply a generous bead of silicone around the sink rim.



5. Carefully place the sink upside down on the vanity top, positioning it within the outline.



6. Attach the sink clips (if included) by placing the long end of the bracket flat against the sink lip. Screw the wing bolts through the brackets and bolt holes and tighten snugly.

7. Carefully turn the top and sink over and gently place on the vanity.

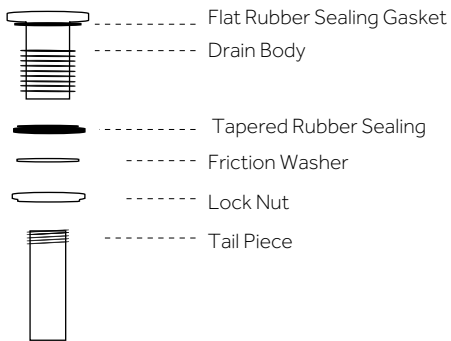




DRAIN INSTALLATION

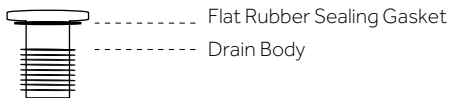
DRAIN INSTALLATION

1. Disassemble the drain by removing the threaded tail piece, rubber sealing gaskets, friction washer and lock nut from the drain body.

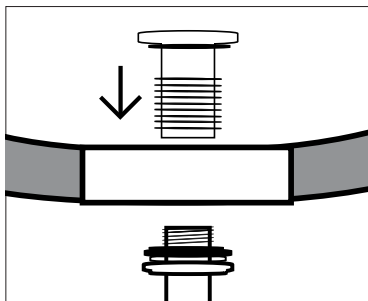


2. Place thread sealant on the threaded section of the tail piece and reattach to the drain body.

3. Slide the flat rubber sealing gasket up the tail piece to the top of the drain body. This gasket will create a water tight seal between the drain flange and sink.

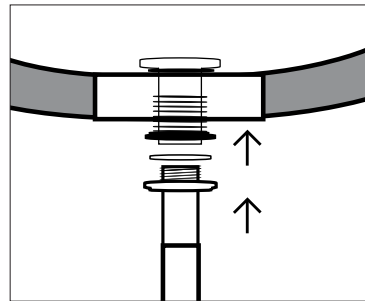


4. Place the drain in the drain hole in the sink.



5. On the underside of the counter, attach the tapered rubber gasket. With the flat side facing down, slide the gasket up the threaded shank until it makes contact with the bottom of the sink.

6. Slide the friction washer up to meet the rubber gasket.



7. Thread the lock nut onto the threaded shank. Hand-tighten and make sure that the drain is properly aligned. When ready, finish tightening with a basin wrench to secure the drain.

