

WALL-MOUNT KITCHEN SINK

INSTALLATION INSTRUCTIONS

BEFORE YOU BEGIN

Read the entire installation instructions before beginning. Observe all local building and safety codes.

For the following installation instructions for your new sink it is assumed that any old fixtures have been removed and that the water supply lines and drain pipe are in place.

Unpack and inspect the product for any shipping damages. If you find damages, do not install. Contact Customer Service at 1-855-715-1800. If you need assistance or have questions while installing your sink, contact Customer Service.

Because wall construction and materials vary from home to home, Signature Hardware does not provide mounting hardware for all of our wall-mount sinks. The appropriate mounting hardware can be purchased from your local hardware store.

We recommend consulting a professional if you are unfamiliar with installing kitchen fixtures. Signature Hardware accepts no liability for any damages to the sink, floor, walls, plumbing or for personal injury during installation.

TOOLS AND MATERIALS:



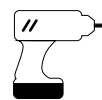
Safety Glasses



Level



Pencil



Drill



Stud Finder



Phillips
Screwdriver



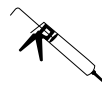
Tape Measure



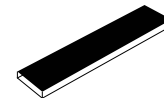
Hex Wrench



Cloth



Neutral Cure
Silicone Sealant



Wood Blocking



Anchor bolt

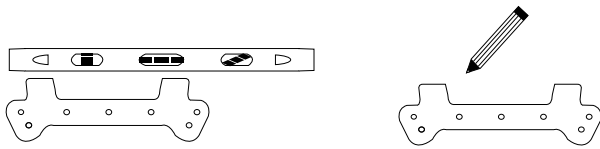
REVISED 02/13/2019

WALL-MOUNT KITCHEN SINK

INSTALLATION INSTRUCTIONS

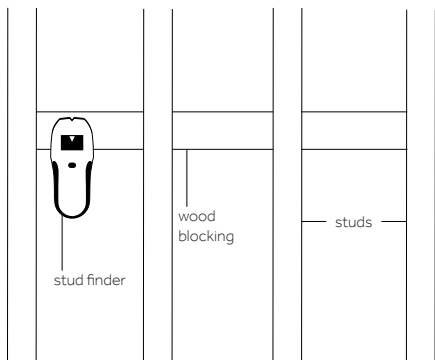
INSTALLATION

1. Use a tape measure to determine your desired location. Place the mounting brackets in the installation location and ensure they are level. Then, mark the location of the mounting holes on the wall.

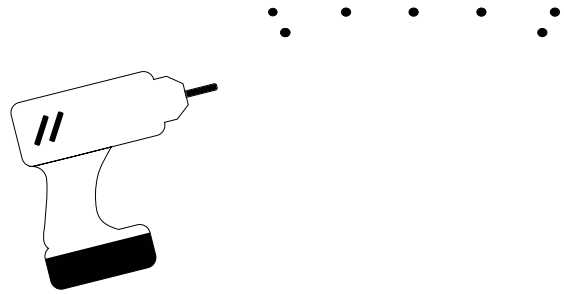


IMPORTANT: The sink should be anchored to cross bracing between wall studs, which you can locate using a stud finder. Wood blocking can be installed between the studs using standard 2 x 4's (for additional support, we recommend stacking the 2x4s to ensure maximum anchoring).

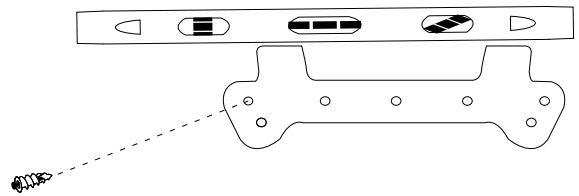
We recommend consulting a professional if you are unfamiliar with this type of installation.



2. Drill mounting holes for the anchor or lag bolts using the guides created in step 1.



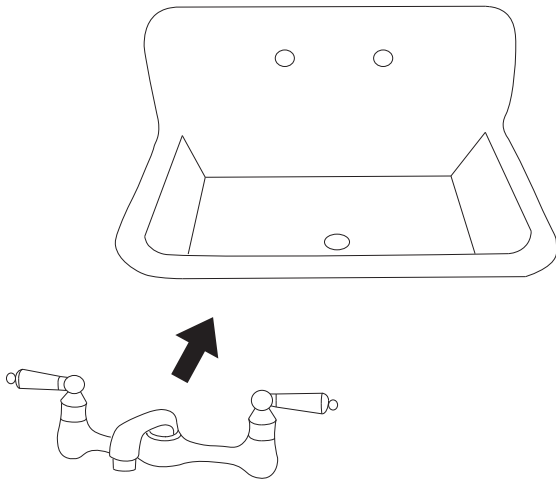
3. Secure the mounting brackets to the wall with the anchor bolts. After inserting the first fastener, double check that the bracket is level. When the brackets are properly aligned insert the remaining fasteners.



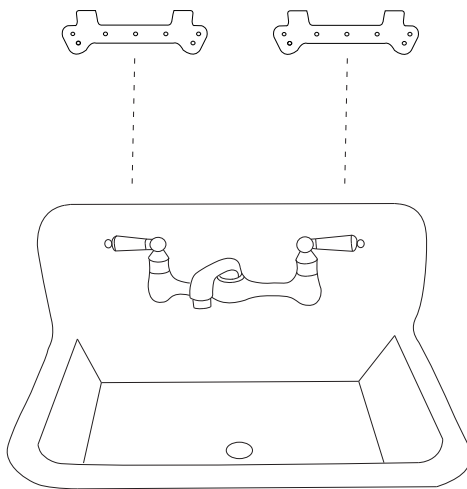
WALL-MOUNT KITCHEN SINK

INSTALLATION INSTRUCTIONS

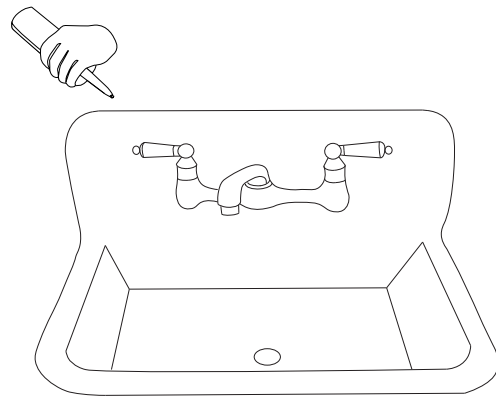
4. Before the sink is attached to the wall, install the faucet and drain assembly according to the installation instructions.



5. Attach the sink to the brackets with the mounting hardware.



6. Apply a thin bead of silicone around the back of the sink, where it meets the wall. Then, wipe away any excess sealant with a damp cloth. This will prevent water from getting behind the sink, which could damage drywall.



6. To complete your installation, connect the water supply and drain lines. Turn on the water supply to check for any leaks from the water supply lines or sink basin.

